



Zebra Technologies Corporation

333 Corporate Woods Parkway
Vernon Hills, Illinois 60061.3109 U.S.A.
Telephone +1 847.634.6700
Facsimile +1 847.913.8766



Zebra Technologies Europe Limited

Zebra House
The Valley Centre, Gordon Road
High Wycombe
Buckinghamshire HP13 6EQ, UK
Telephone +44 (0)1494 472872
Facsimile +44 (0)1494 450103



**Zebra Technologies
Latin American Sales Office**

6175 NW 153rd Street
Suite 121
Miami Lakes FL 33014 U.S.A.
Telephone +1 305.558.8470
Facsimile +1 305.558-8485



**Zebra Technologies
Regional Sales Office - Asia/Pacific**

1 Sims Lane, #06-11
Singapore 387355
Telephone +011 / 65 6842 0322
Facsimile +011 / 65 6842 0366



**Printed on
chlorine-free
recycled paper.**



980478-003

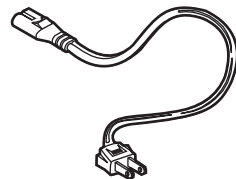
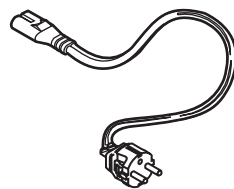
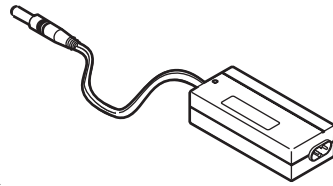
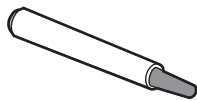
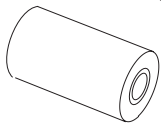
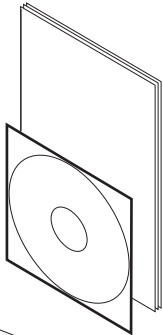
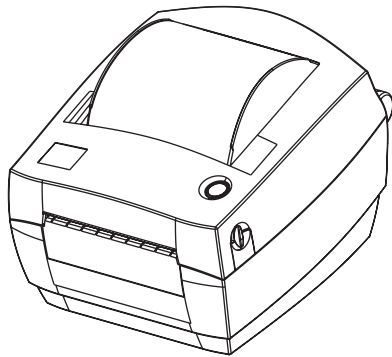
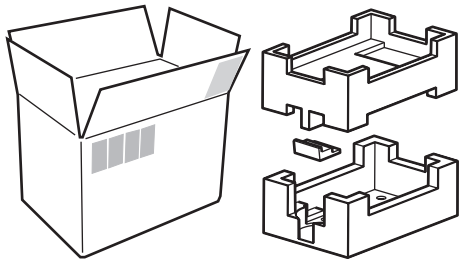


Zebra®
LP 2844-Z™

©2006 ZIH Corp.

980478-003 Rev.A





FCC - DECLARATION OF CONFORMITY:

Model: LP 2844-Z conforms to the following specification: FCC Part 15, Subpart B, Section 15.107(a) and Section 15.109(a) Class B digital device

Supplemental Information: This device complies with Part 15 of the FCC Rules. Operation is subject to the following Two Conditions: (1) This device may not cause harmful interference, and (2) this device must accept any interference received, including interference that may cause undesired operation.

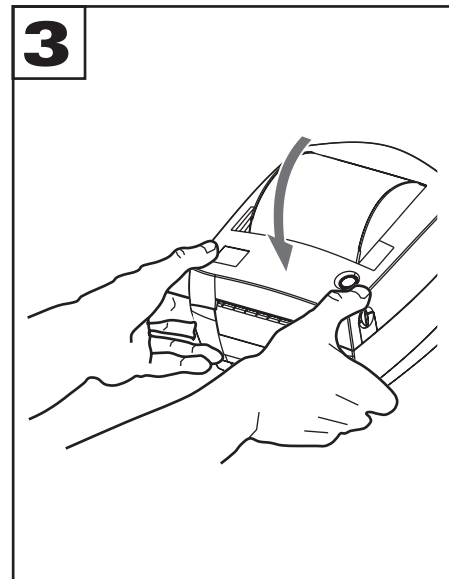
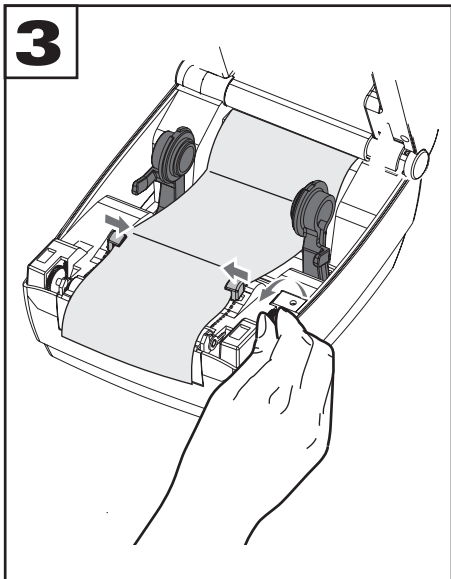
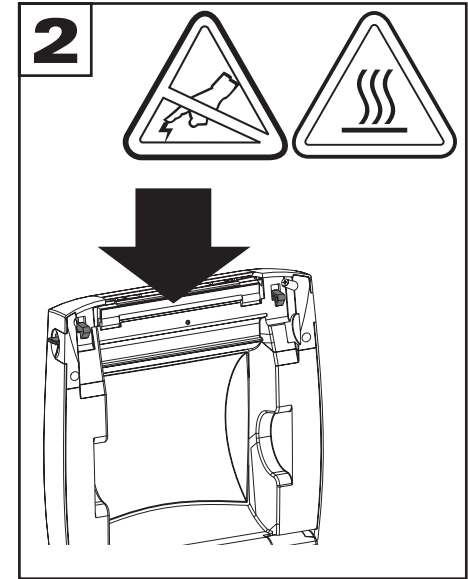
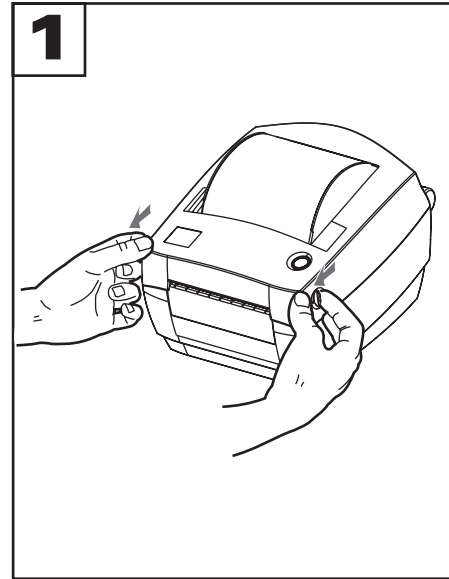
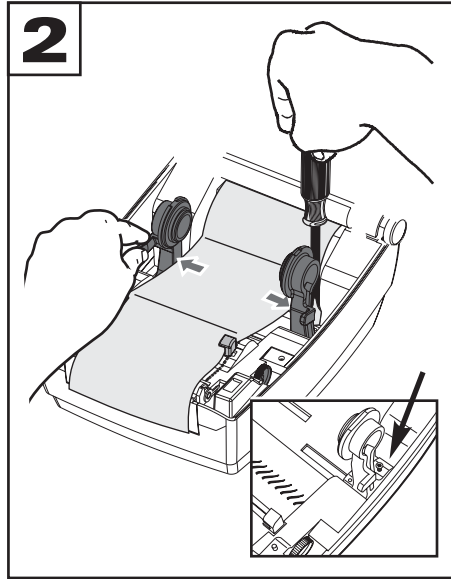
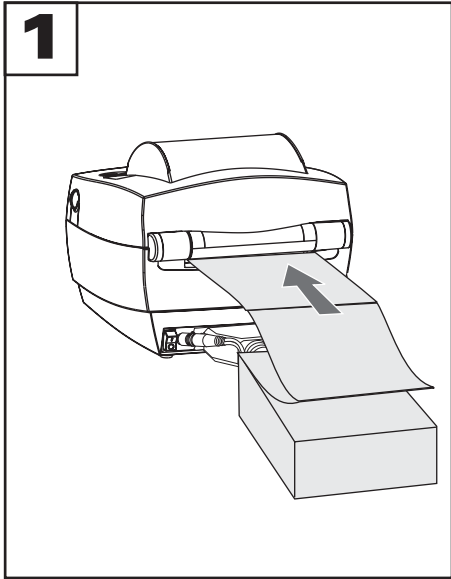
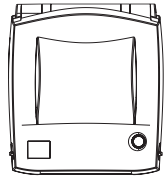
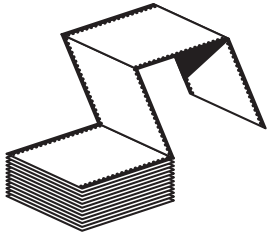
INDUSTRY CANADA NOTICE:

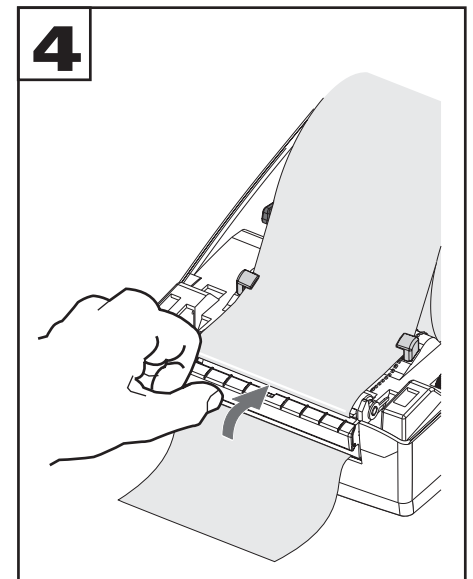
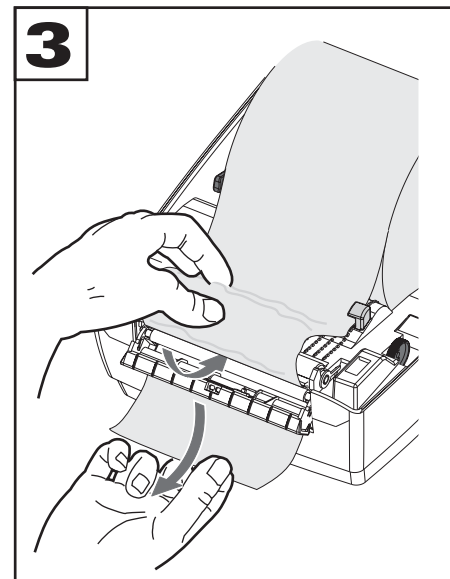
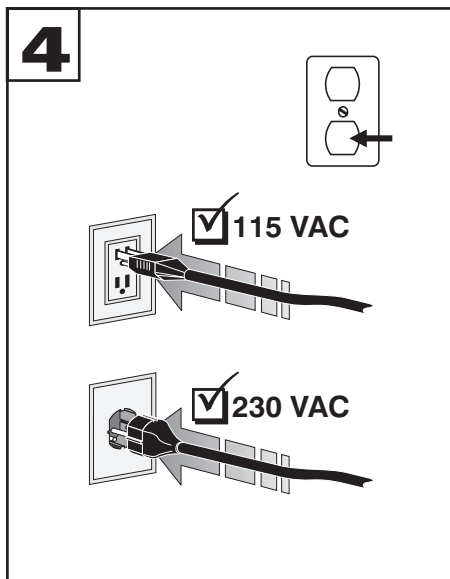
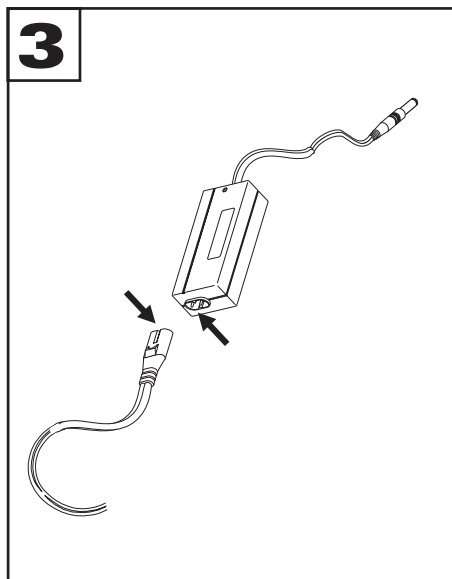
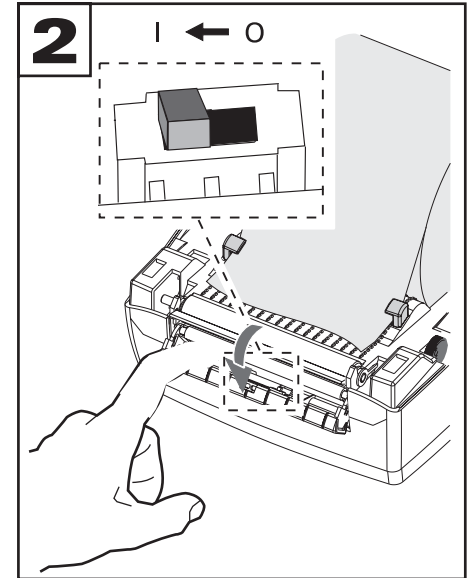
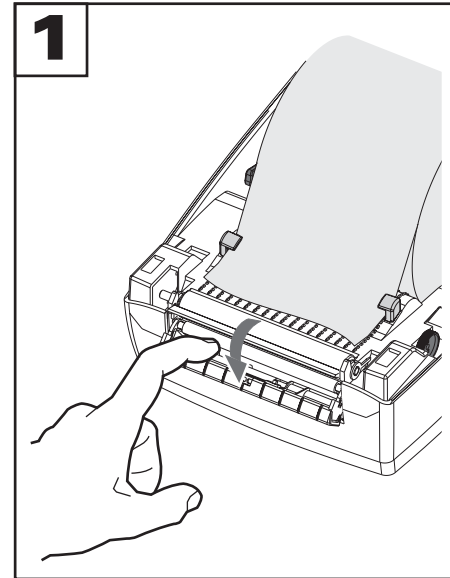
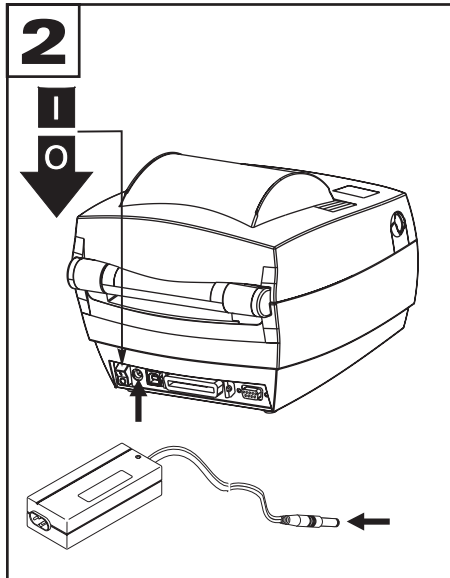
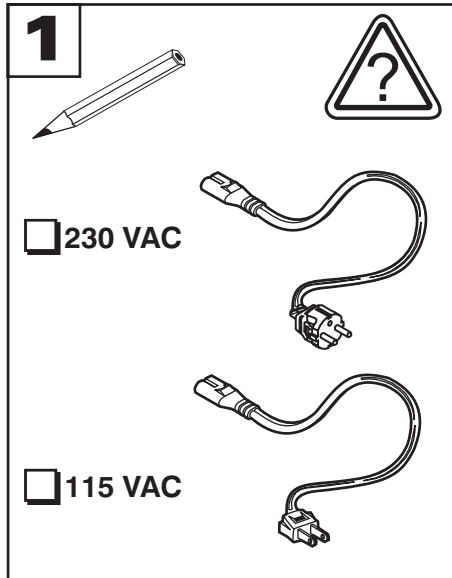
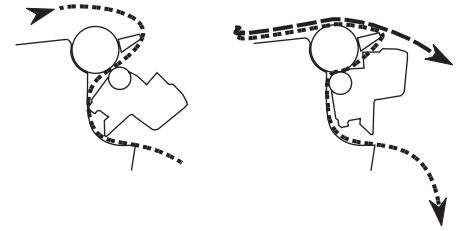
This device complies with Industry Canada ICS-003 class B requirements. Cet équipement est conforme à l'ICS-003 classe B de la norme Industrielle Canadian.

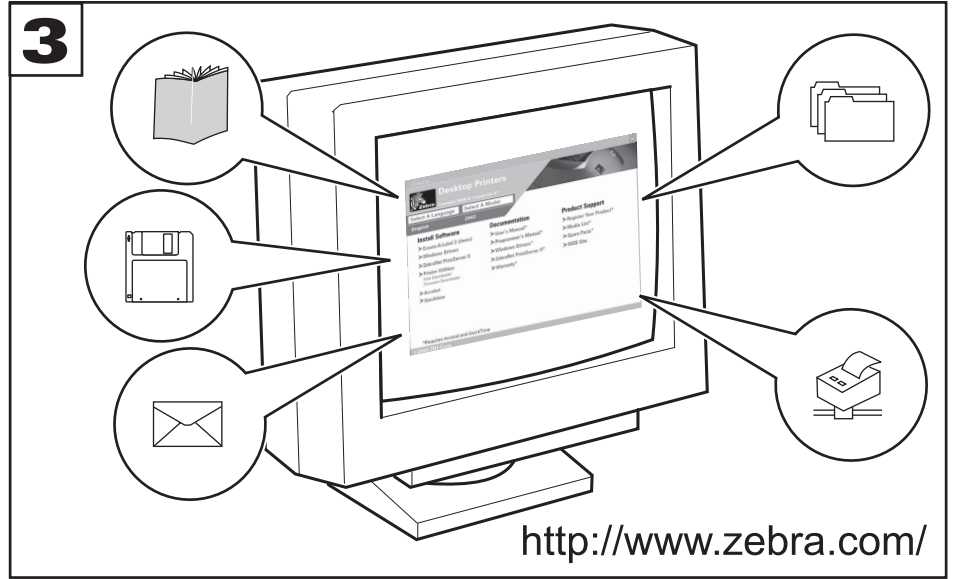
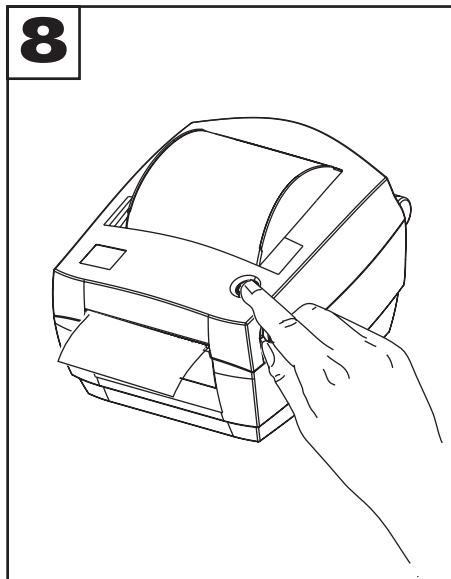
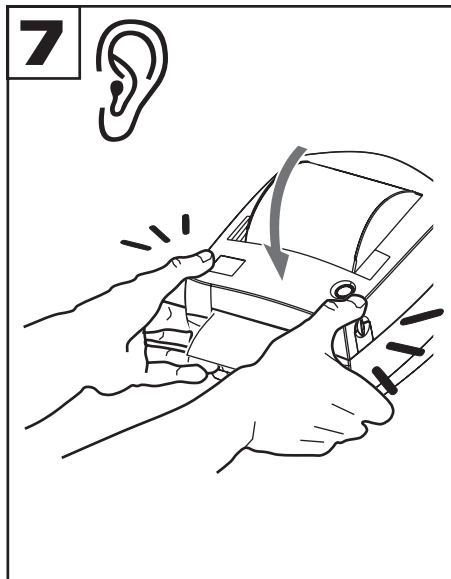
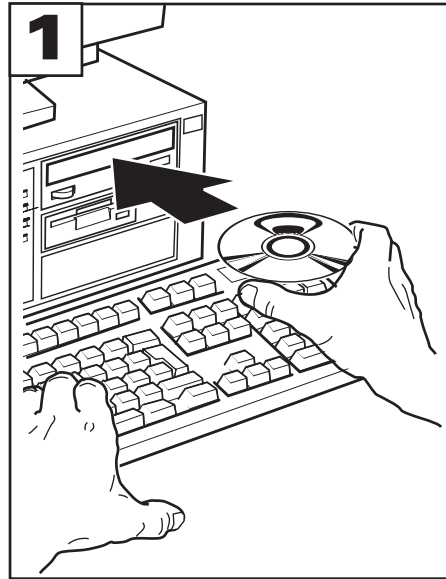
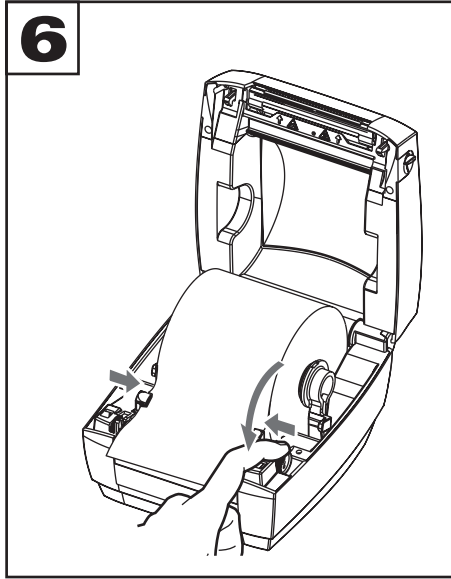
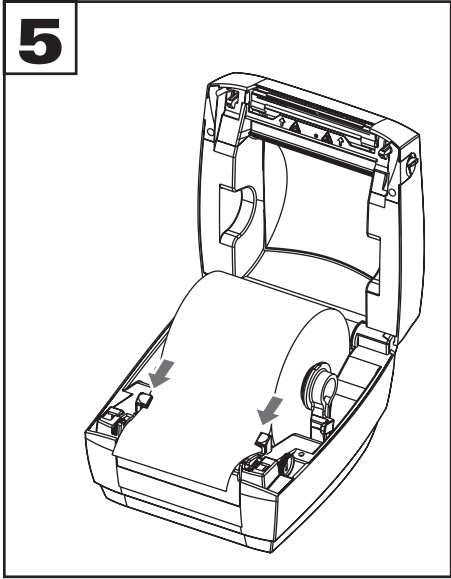
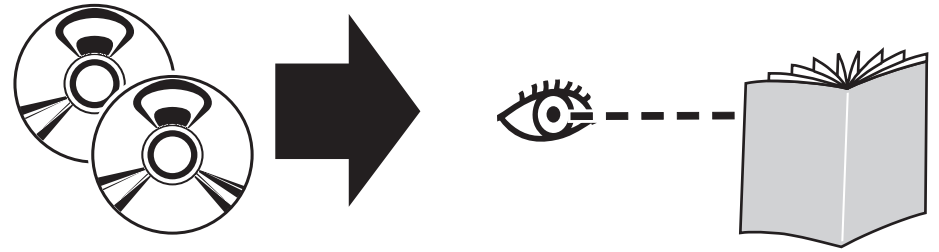
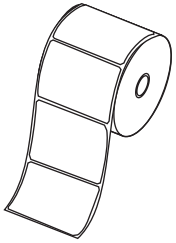


Utilice sólo adaptadores con las siguientes características eléctricas y que estén debidamente certificados de acuerdo a la legislación vigente. El uso de otros adaptadores podría dañar el dispositivo y anular la garantía además de provocar riesgos al usuario.

Características de entrada: 100-240V; 47-63 Hz; 1,5A
Características de salida: 20Vdc; 2,5A







<http://www.zebra.com/>

